

SECTION AAF

ENGINE (Motor)
MARK II

ENGINE (Motor) — MARK II

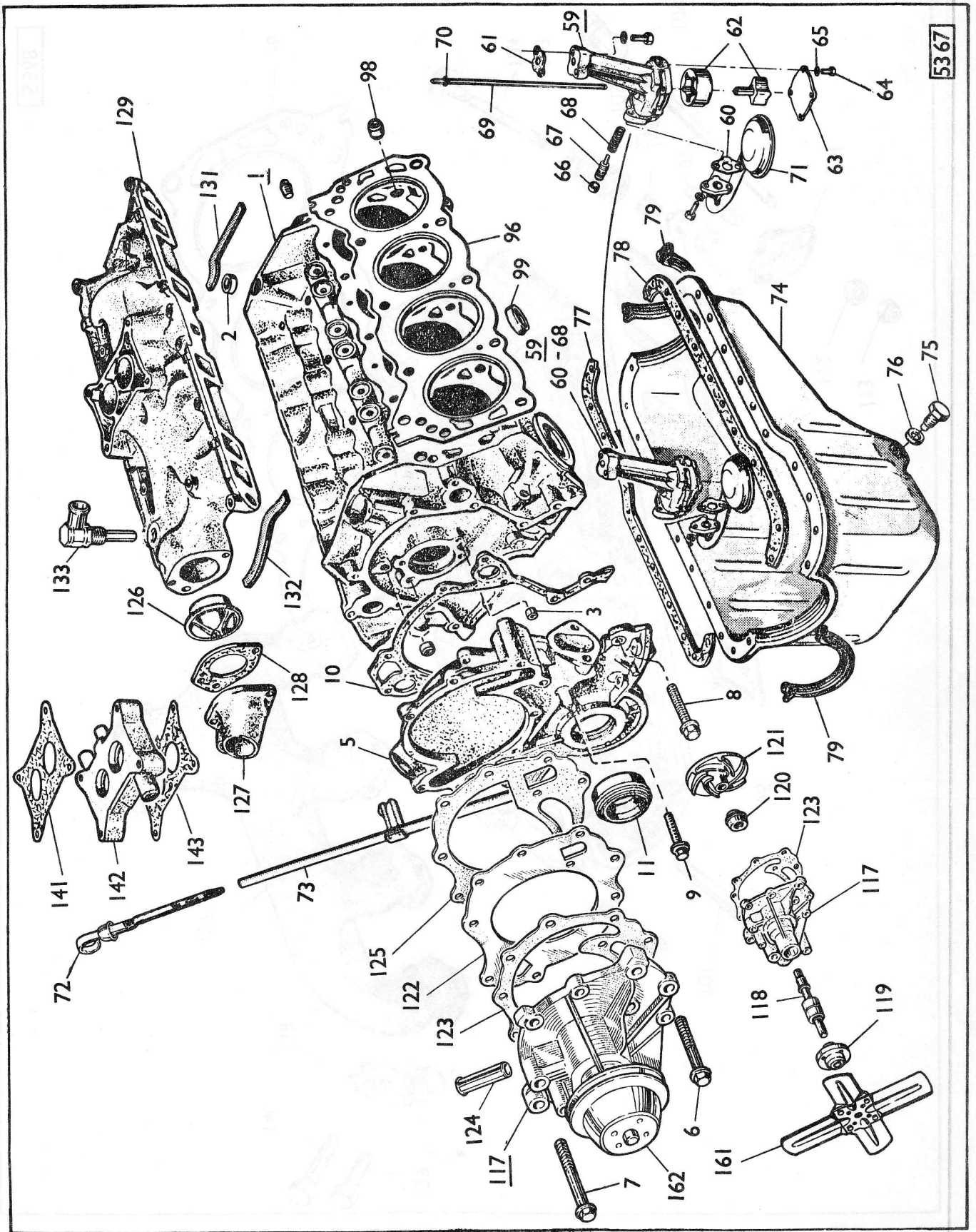


PLATE A — SECTION AAF

ENGINE (Motor) — MARK II

5368

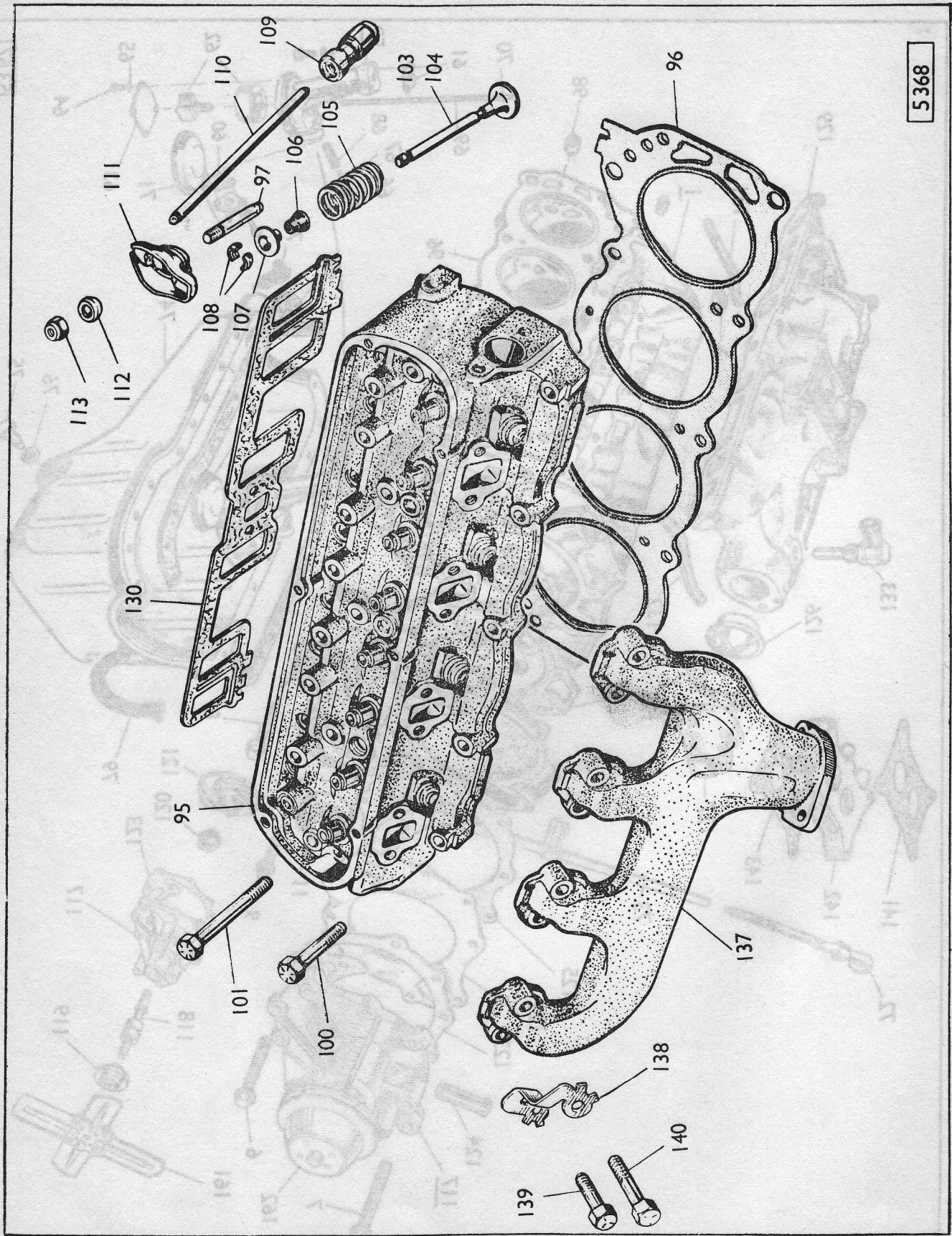


PLATE B — SECTION AAF

ENGINE (Motor) — MARK II

5369

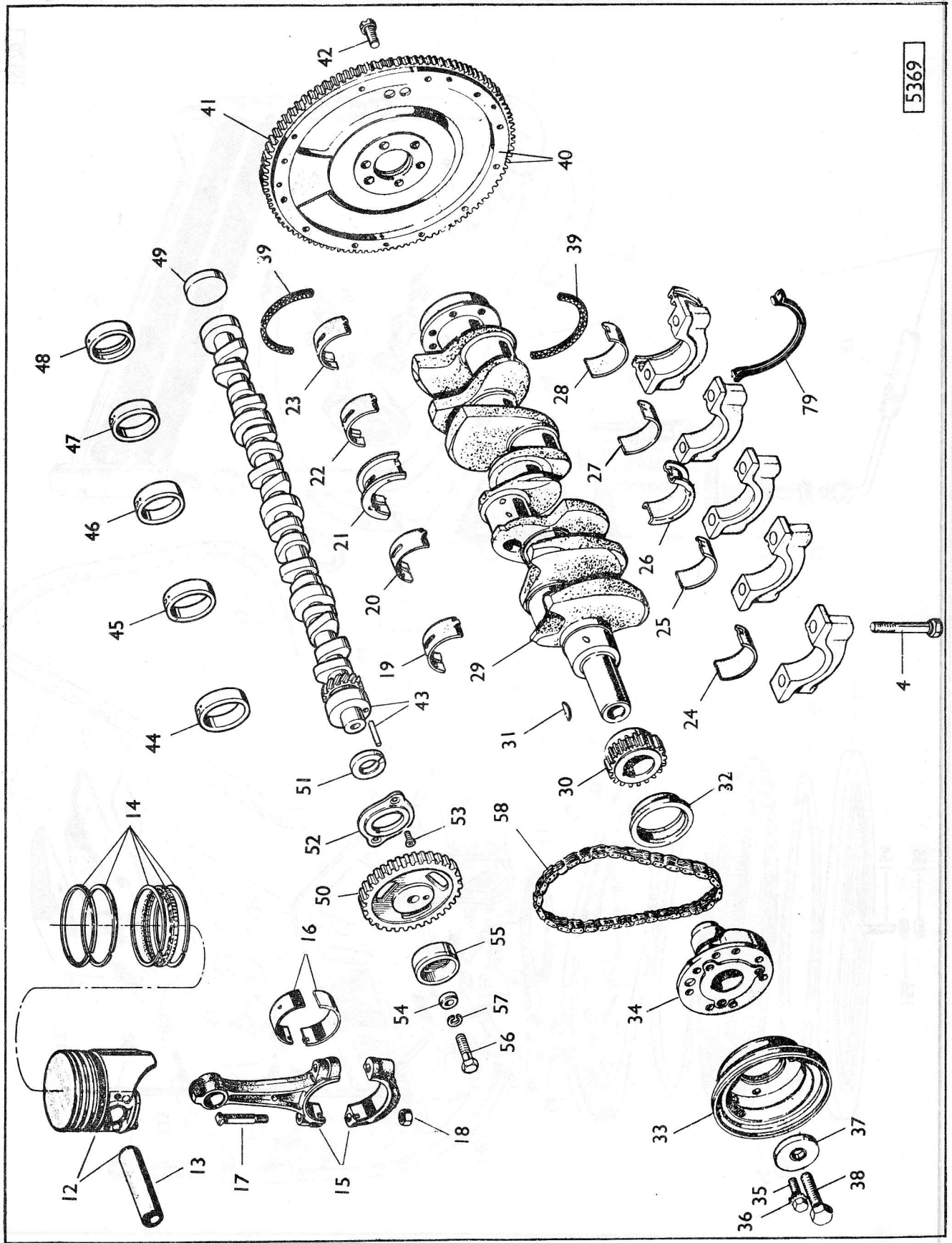


PLATE C — SECTION AAF

ENGINE (Motor) — MARK II

5370

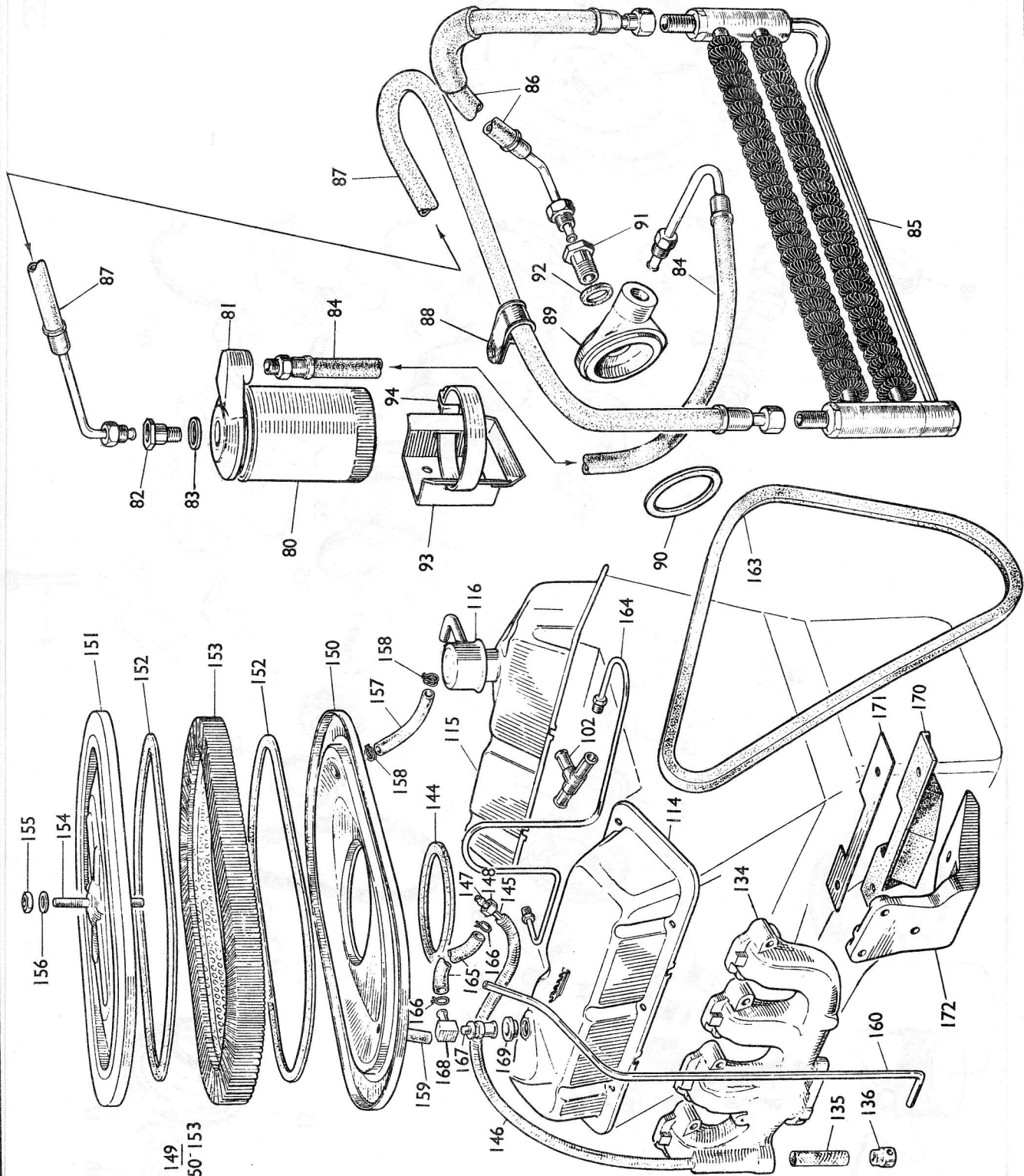


PLATE D — SECTION AAF

ENGINE (Motor) — MARK II

Plate Ref.	Rootes Part Number	DESCRIPTION	No. per Veh.	REMARKS
A1	6100778	CYLINDER ASSEMBLY	1	Includes items marked *
	6100779	*CYLINDER BLOCK	1	
A2	6100548	Dowel, $\frac{3}{8}$ " \times $\frac{1}{8}$ "—Cylinder block to clutch housing ...	2	
	6100549	Plug, $\frac{3}{4}$ " (Rear cup type)—Cylinder block	1	
A3	6100511	Plug—Distributor boss	1	
C4	6100567	Bolt—Main bearing caps, $\frac{7}{16}$ " \times 3.15"	10	
	6100367	Cover—Petrol (Fuel) pump aperture	1	
A5	6100878	Gasket—Cover }	1	
	6100501	Bolt, $\frac{3}{8}$ " \times $\frac{3}{4}$ " } Cover	2	
	6100951	Washer, $\frac{3}{8}$ " lock }	2	
	6100780	TIMING COVER	1	
A6	6100550	Bolt, $\frac{5}{16}$ " \times 3 $\frac{7}{16}$ " hex. hd. }	2	
A7	6100933	Bolt, $\frac{5}{16}$ " \times 3 $\frac{11}{16}$ " hex. hd. }	1	
	6100937	Bolt, $\frac{5}{16}$ " \times 3 $\frac{11}{16}$ " hex. hd. } Water pump	1	
A8	6100934	Bolt, $\frac{5}{16}$ " \times 2 $\frac{3}{8}$ " hex. hd. } and timing cover	1	
	6100935	Bolt, $\frac{5}{16}$ " \times 1 $\frac{3}{4}$ " hex. hd. } to block	1	
A9	6100938	Bolt, $\frac{5}{16}$ " \times 1 $\frac{1}{2}$ " hex. hd. }	3	
	6100936	Washer, $\frac{11}{32}$ " plain }	2	
A10	6100133	Gasket—Timing cover to block	1	
A11	6100216	Oil seal—Timing cover	1	
C12	6100783	*PISTON ASSEMBLY—Standard	8	
	6100784	Piston assembly—003" o/s	8	
	6100785	Piston assembly—020" o/s	8	
	6100786	Piston assembly—030" o/s	8	
	6100787	Piston assembly—040" o/s	8	
C13	6100517	Gudgeon pin—Standard—Green, .9120"/.9123" O.D., .595"/.605" I.D. \times 3.016"/3.030" long	8	
C14	6100788	*Partial ring set—Piston—Standard	4	
	6100789	Partial ring set—Piston—020" o/s	4	
C15	6100790	Partial ring set—Piston—030" o/s	4	
	6100791	Partial ring set—Piston—040" o/s	4	
	6100154	*CONNECTING ROD ASSEMBLY	8	
C16	6100792	*BIG END BEARING—Standard	16	
	6100793	Big End Bearing—002" u/s	16	
	6100526	Big End Bearing—010" u/s	16	
	6100527	Big End Bearing—020" u/s	16	
	6100794	Big End Bearing—030" u/s	16	
C17	6100530	*Bolt, $\frac{5}{16}$ " \times 2.08" } Connecting	16	
C18	6100529	*Nut, $\frac{5}{16}$ " hex. } rod	16	
STANDARD MAIN BEARINGS—UPPER				
C19	6100800	*Main Bearing—Standard, upper front	1	
C20	6100800	*Main Bearing—Standard, upper front inter.	1	
C21	6100801	*Main Bearing—Standard, upper centre	1	
C22	6100800	*Main Bearing—Standard, upper rear inter.	1	
C23	6100800	*Main Bearing, Standard, upper rear'	1	

ENGINE (Motor) — MARK II

Plate Ref.	Rootes Part Number	DESCRIPTION	No. per Veh.	REMARKS
		UNDERSIZE MAIN BEARINGS—UPPER		
	6100179	Main Bearing, .002" u/s, upper front	1	
	6100179	Main Bearing, .002" u/s, upper front inter.	1	
	6100180	Main Bearing, .002" u/s, upper centre	1	
	6100179	Main Bearing, .002" u/s, upper rear inter.	1	
	6100179	Main Bearing, .002" u/s, upper rear	1	
	6100181	Main Bearing, .010" u/s, upper front	1	
	6100181	Main Bearing, .010" u/s, upper front inter.	1	
	6100182	Main Bearing, .010" u/s, upper centre	1	
	6100181	Main Bearing, .010" u/s, upper rear inter.	1	
	6100181	Main Bearing, .010" u/s, upper rear	1	
	6100183	Main Bearing, .020" u/s, upper front	1	
	6100183	Main Bearing, .020" u/s, upper front inter.	1	
	6100184	Main Bearing, .020" u/s, upper centre	1	
	6100183	Main Bearing, .020" u/s, upper rear inter.	1	
	6100183	Main Bearing, .020" u/s, upper rear	1	
	6100185	Main Bearing, .030" u/s, upper front	1	
	6100185	Main Bearing, .030" u/s, upper front inter.	1	
	6100186	Main Bearing, .030" u/s, upper centre	1	
	6100185	Main Bearing, .030" u/s, upper rear inter.	1	
	6100185	Main Bearing, .030" u/s, upper rear	1	
		STANDARD MAIN BEARINGS—LOWER		
C24	6100802	*Main Bearing—Standard, lower front	1	
C25	6100802	*Main Bearing—Standard, lower front inter.	1	
C26	6100803	*Main Bearing—Standard, lower centre	1	
C27	6100802	*Main Bearing—Standard, lower rear inter.	1	
C28	6100802	*Main Bearing—Standard, lower rear	1	
		UNDERSIZE MAIN BEARINGS—LOWER		
	6100191	Main Bearing, .002" u/s, lower front	1	
	6100191	Main Bearing, .002" u/s, lower front inter.	1	
	6100192	Main Bearing, .002" u/s, lower centre	1	
	6100191	Main Bearing, .002" u/s, lower rear inter.	1	
	6100191	Main Bearing, .002" u/s, lower rear	1	
	6100193	Main Bearing, .010" u/s, lower front	1	
	6100193	Main Bearing, .010" u/s, lower front inter.	1	
	6100194	Main Bearing, .010" u/s, lower centre	1	
	6100193	Main Bearing, .010" u/s, lower rear inter.	1	
	6100193	Main Bearing, .010" u/s, lower rear	1	
	6100195	Main Bearing, .020" u/s, lower front	1	
	6100195	Main Bearing, .020" u/s, lower front inter.	1	
	6100196	Main Bearing, .020" u/s, lower centre	1	
	6100195	Main Bearing, .020" u/s, lower rear inter.	1	
	6100195	Main Bearing, .020" u/s, lower rear	1	
	6100197	Main Bearing, .030" u/s, lower front	1	
	6100197	Main Bearing, .030" u/s, lower front inter.	1	
	6100198	Main Bearing, .030" u/s, lower centre	1	
	6100197	Main Bearing, .030" u/s, lower rear inter.	1	
	6100197	Main Bearing, .030" u/s, lower rear	1	

ENGINE (Motor) — MARK II

Plate Ref.	Rootes Part Number	DESCRIPTION	No. per Veh.	REMARKS
C29	6100156	*CRANKSHAFT	1	
C30	6100798	*Sprocket—Crankshaft (21 teeth)	1	
C31	6100565	Key—Sprocket to crankshaft ($\frac{3}{16}$ " \times 1.40")	1	
C32	6100158	Oil slinger }	1	
C33	6100031	Pulley } Crankshaft	1	
C34	6100799	Damper }	1	
C35	6100501	Bolt, $\frac{3}{8}$ " \times .75" long } Pulley to	3	
C36	6100566	Washer—Lock $\frac{3}{8}$ " } damper	3	
C37	6100536	Washer—Crankshaft pulley or damper retainer	1	
C38	6100923	Bolt—Crankshaft pulley washer	1	
C39	6100879	Seal—Crankshaft rear	2	
C40	6100804	FLYWHEEL AND STARTER RING, (Gear)	1	
C41	6100159	Starter ring (Gear)—160 teeth—13.258" O.D.	1	
C42	6100568	Bolt, $\frac{7}{16}$ " \times 1 $\frac{1}{16}$ "—Flywheel to crankshaft	6	
C43	6100795	*CAMSHAFT, less gear	1	
	6100162	BEARING KIT—Standard	1	
C44	6100163	*Bearing, front	1	
C45	6100166	*Bearing, front intermediate	1	
C46	6100164	*Bearing, centre	1	
C47	6100167	*Bearing, rear intermediate	1	
C48	6100165	*Bearing, rear	1	
	6100169	Bearing, .015" u/s, front	1	
	6100170	Bearing, .015" u/s front intermediate	1	
	6100171	Bearing, .015" u/s centre } Camshaft	1	
	6100172	Bearing, .015" u/s rear intermediate	1	
	6100173	Bearing, .015" u/s rear	1	
C49	6100532	Sealing disc—Rear bearing, standard	1	
	6100797	Sealing disc—Rear bearing, .060" o/s }	1	
C50	6100796	*Sprocket—42 teeth }	1	
C51	6100531	Spacer—Sprocket } Camshaft	1	
C52	6100849	Thrust plate	1	
	6100563	Bolt, $\frac{1}{4}$ " \times $\frac{5}{8}$ " hex. hd.—Thrust plate to sprocket	2	
C53	6100564	Screw, $\frac{1}{4}$ " \times $\frac{5}{8}$ "—Thrust plate to block	2	
C54	6100534	Washer—Camshaft sprocket	1	
C55	6100535	Eccentric—Camshaft fuel pump drive	1	
C56	6100671	Bolt } Sprocket	1	
C57	6100566	Washer, spring } to camshaft	1	
C58	6100155	TIMING CHAIN (58 links)	1	
A59	6100445	OIL PUMP—Rotor type	1	
A60	6100137	Gasket—Oil pump screen cover and inlet tube	1	
A61	6100777	Gasket—Oil pump to block	1	
A62	6100446	Rotor and shaft assembly—Oil pump drive	1	
A63	6100214	Plate—Oil pump body	1	
A64	6100822	Bolt, $\frac{1}{4}$ " \times $\frac{3}{4}$ " } Cover plate	4	
A65	6100823	Washer, $\frac{1}{4}$ " lock } to body	4	
A66	6100540	Plug }	1	
A67	6100495	Plunger } Oil pump body relief valve	1	
A68	6100494	Spring }	1	
A69	6100541	Shaft—7.44" long—Oil pump intermediate	1	
A70	6100542	Retaining ring, .052" O.D.—6 prongs	1	
A71	6100437	Screen, tube and cover assembly—Oil pump	1	
A72	6100734	Oil level indicator (Dipstick)	1	
A73	6100855	Tube—Oil level indicator (Dipstick)	1	
		Bolt—Tube to cylinder head		See Alternator fixings page AAF6

ENGINE (Motor) — MARK II

Plate Ref.	Rootes Part Number	DESCRIPTION	No. per Veh.	REMARKS
A74	6100768	SUMP (Oil pan)	1	} Not supplied separately
A75	6100497	Drain plug—Sump (Oil pan)	1	
A76	6100143	*Gasket—Drain plug (Nylon)	1	
A77		*Gasket, R.H. } Cork and rubber	}	
A78		*Gasket, L.H. } -09" thick		
AC79		*Seal—Front and rear (Rubber)		
	6100217	Gasket set—Sump (Oil pan)	1	
D80	6100448	OIL FILTER ELEMENT (With Gaskets)—Disposable		
		"Spin on" type	1	
D81	1224768	Adaptor—Oil filter to hoses	1	
D82	1236087	Bolt, special } Adaptor to	}	
D83	9078049	Joint washer } oil filter		
D84	1224819	HOSE—Oil filter to engine (Motor)	1	
D85	1229909	OIL COOLER	1	
	9067081	Washer, 3/8" plain } Oil cooler to	}	
	9029208	Nut, 3/8" U.N.F. } front fairing		
D86	1229920	HOSE—Oil cooler to engine (Motor)	1	
D87	1229921	HOSE—Oil cooler to oil filter	1	
D88	9179055	Clip	1	
	19503032	Bolt, No. 10 UNF. x 3/8" } Hose	}	
	9663123	Washer, 3/16" shakeproof } to body		
	5220700	Nut, No. 10 UNF. }	1	
	9179055	Clip	1	
	9774086	Tapping screw, No. 10 x 1/2" } engine	}	
	9086009	Washer, No. 10 plain } (Motor)		
D89	1224767	Adaptor—Hoses to engine (Motor)	1	
D90	1236108	Gasket—Adaptor to engine (Motor)	1	
D91	1236083	Bolt, special } Adaptor to	}	
D92	9078049	Joint washer } engine (Motor)		
D93	1236198	Mounting bracket—Oil filter	1	
	5220699	Screw, 3/8" UNC. x 3/4" hex. } Oil filter bracket	}	
	9661241	Spring washer, 3/8" } to engine (Motor)		
D94	1224753	Clamp—Oil filter mounting bracket	1	
	19505061	Screw, 5/16" UNF. x 3/4" }	}	
	5200485	Washer, 5/16" spring } Clamp		
	5220701	Nut, 5/16" UNF.	1	
B95	6100781	CYLINDER HEAD	2	
AB96	6100776	Gasket—Cylinder head to block	2	
B97	6100816	Stud (Standard) }	}	
	6100817	Stud (-006 o/s) } Valve rocker arm shaft support		
	6100818	Stud (-015" o/s) }		
A98	6100510	Dowel, .676" O.D. x .44" long (split)—Cylinder head to block	4	
A99	6100782	Plug, 1 1/2" O.D. cup type—Cylinder head end	4	
B100	6100361	Bolt, 7/16"—14 x 2.29" } Cylinder	}	
B101	6100362	Bolt, 7/16"—14 x 3.91" } head		
		Temperature transmitter		
D102	1224827	"T" Piece—Water return	2	
	6100810	INLET (Intake) VALVE—Standard, stem dia. .3416"/.3423"	8	
B103	6100811	Inlet (Intake) Valve—Stem size .003", dia. .3446"/.3453"	8	
	6100812	Inlet (Intake) Valve—Stem size .015", dia. .3566"/.3573"	8	
	6100813	Inlet (Intake) Valve—Stem size .030", dia. .3716"/.3723"	8	

See Electrical Section

ENGINE (Motor) — MARK II

Plate Ref.	Rootes Part Number	DESCRIPTION	No. per Veh.	REMARKS
B104	6100806	EXHAUST VALVE—Standard, stem dia. .3410" ...	8	
	6100807	Exhaust valve—Stem size .003", dia. .3439" ...	8	
	6100808	Exhaust valve—Stem size .015", dia. .3560" ...	8	
	6100809	Exhaust valve—Stem size .030", dia. .3710" ...	8	
B105	6100814	Valve spring ...	16	
B106	6100436	Seal—Valve guide and valve stem ...	16	
B107	6100815	Retainer—Valve spring ...	16	
B108	6100210	Cotter—Valves ...	32	
	6100211	Baffle—Valve push rod valley ...	1	
B109	6100805	TAPPET—Hydraulic (2" long) ...	16	
B110	6100213	Push rod (6-825" long) ...	16	
B111	6100212	ROCKER ARM ...	16	
B112	6100500	Fulcrum seat—Rocker arm ...	16	
B113	6100819	Nut—Rocker stud ...	16	
D114	6100820	Rocker cover, O/S (R.H.) ...	1	
D115	6100821	Rocker cover, N/S (L.H.) } Chrome ...	1	
	6100136	Gasket—Rocker cover (.17" thick) ...	2	
D116	6100721	Cap—Oil filler ...	1	
A117	6100761	WATER PUMP UNIT ...	1	
A118	6100950	Shaft and bearing ...	1	
A119	6100286	Hub—Pulley ...	1	
A120	6100287	Seal ...	1	
A121	6100284	Impellor ...	1	
A122	6100952	Cover ...	1	
A123	6100953	Gasket—Cover ...	1	
A124	6100954	Tube—Water by-pass ...	1	
A125	6100762	Gasket—Housing ...	1	
	6100948	By-pass hose ...	1	
A126	6100288	THERMOSTAT—160°F. ...	1	
A127	6100850	WATER (Top) OUTLET PIPE ...	1	
	6100145	Gasket } Water outlet pipe ...	1	Superseded by 6100281
	6100281	Gasket } to cylinder head ...	1	
MANIFOLDS				
A129	6100851	INDUCTION MANIFOLD ...	1	
	6100943	Screw and washer, $\frac{3}{8}$ "—18 × 1.95"—Induction manifold to cylinder block ...	12	
B130	6100760	INDUCTION MANIFOLD GASKET SET ...	1	} Not supplied separately
	A131	Gasket—Induction manifold to cylinder heads ...		
A132	Seal—Rear } Induction manifold to ...			
A133	Seal—Front } cylinder block ...			
A134	6100756	Elbow—Heater connection ...	1	
D134	1236160	EXHAUST MANIFOLD, O/S (R.H.) ...	1	
D135	6100043	Insert—Carb. thermostat choke control ...	1	
D136	6100044	Adaptor—Thermostatic choke control inlet tube ...	1	
B137	6100296	EXHAUST MANIFOLD, N/S (L.H.) ...	1	
B138	6100040	Locking tab ...	8	
B139	6100602	Bolt, $\frac{3}{8}$ " × 1½" long } Exhaust manifolds ...	8	
	6100603	Bolt, $\frac{3}{8}$ " × 2" long } to cylinder block ...	8	

ENGINE (Motor) — MARK II

Plate Ref.	Rootes Part Number	DESCRIPTION	No. per Veh.	REMARKS
CARBURETTOR				
	6100604	Carburettor		See Carburettor Section
	6100358	Stud, $\frac{5}{16}$ " \times 2 $\frac{1}{2}$ "—Carburettor to intake manifold	4	
A141	6100298	Connector } Carburettor to induction manifold spacer	1	
A142	6100852	Gasket }	1	
A143	6100298	Spacer—Carburettor to intake manifold	1	
	1224609	Gasket—Spacer to intake manifold	1	
D144	6100025	Hose—Spacer to engine return	1	Not req. when heater fitted
D145	1229983	Gasket—Carburettor to air cleaner	1	
D146	6100037	Tube—Choke thermostat housing to $\text{\O}/\text{S}$ (R.H.) exhaust manifold	1	
D147	6100038	Insulating sleeve—Thermo choke tube	1	
D148	6100618	Olive } Tube to choke	1	
		Nut } thermostat housing	1	
AIR CLEANER				
D149	1224830	AIR CLEANER	1	} Not supplied
D150		Bottom plate		
D151		Top plate		
D152	5042656	Element seating gasket	2	
D153	5042655	Element	1	
D154	1224657	Stud—Air cleaner	1	
D155	9550040	Nut, $\frac{1}{4}$ " UNC. } Air cleaner	1	
D156	9068010	Washer, $\frac{1}{4}$ " plain } to stud	1	
D157	1224805	Hose—Engine (Motor) breather to air cleaner	1	
D158	9782141	Clip—Hose	2	
D159	1224893	Rubber tube—Air cleaner to choke control breather	1	
D160	1224892	Breather tube (Bundy 17 $\frac{3}{8}$ " long)—Thermo choke adaptor to air cleaner	1	
		Adaptor—Thermo choke—See Exhaust Manifold		
ALTERNATOR				
	6100742	ALTERNATOR—See Electrical Section		
	6100022	Bracket—Alternator mounting	1	
	6100860	Arm—Alternator adjusting	1	
	6100581	Bolt, $\frac{7}{16}$ " \times $\frac{1}{2}$ " } Alternator	1	
	6100861	Lockwasher, $\frac{7}{16}$ " } to mounting	1	
	6100862	Nut, $\frac{7}{16}$ " } bracket	1	
	6100862	Bolt, $\frac{7}{16}$ " \times 1.62" } Mounting bracket	1	
	6100619	Bolt, $\frac{3}{8}$ " \times 1.62" } to cylinder head	2	
	6100863	Bolt, $\frac{3}{8}$ " \times 1 $\frac{1}{4}$ " } ...	2	
	6100646	Lockwasher, $\frac{3}{8}$ " } Adjusting arm to alternator	1	
	6100864	Washer, $\frac{3}{8}$ " plain } ...	1	
		Pulley—Alternator		See Electrical Section
STARTER				
	6100594	STARTER—See Electrical Section		
	6100595	Bolt, $\frac{3}{8}$ " \times 1" } ...	2	Superseded by 9661243
	9661243	Lockwasher, $\frac{3}{8}$ " } Starter to clutch housing	2	
		Lockwasher, $\frac{3}{8}$ " } ...	2	

ENGINE (Motor) — MARK II

Plate Ref.	Rootes Part Number	DESCRIPTION	No. per Veh.	REMARKS
		FAN		
A161	6100041	FAN BLADE	1	
A162	6100033	Fan pulley	1	
	6100865	Bolt, $\frac{5}{16}$ " \times $\frac{3}{4}$ "—Pulley to hub	4	
D163	6100853	Belt—Fan and alternator	1	
		DISTRIBUTOR		
		DISTRIBUTOR—See Electrical Section		
D164	1224812	Suction pipe—Distributor auto advance	1	
		IGNITION COIL		
		IGNITION COIL—See Electrical Section	1	
		PETROL (Fuel) PUMP		
		PETROL (Fuel) PUMP } See Petrol (Fuel)		
		PETROL (Fuel) PUMP MOUNTINGS } Pump Section		
		PETROL (Fuel) PIPES—See Petrol (Fuel) System Section		
		PETROL (Fuel) FILTER		
		PETROL (Fuel) FILTER—See Petrol (Fuel) System Section		
		OIL GAUGE		
		OIL GAUGE—See Electrical Section		
	1224759	Nylon pipe c/w fittings—Oil gauge to Engine (Motor) ...	1	
	9118550	Grommet—Oil gauge pipe	1	
	9151205	Adaptor—Pipe to block	1	
		SPARKING PLUGS		
		SPARKING PLUG } See Electrical		
		High tension (Ignition) cable } Section		
		GEARBOX (Transmission) REAR SUPPORT		
		Transmission Rear Support—See Gearbox (Transmission) Section		
		ENGINE (Motor) NAME PLATE		
	6100161	Engine name plate	1	

ENGINE (Motor) — MARK II

Plate Ref.	Rootes Part Number	DESCRIPTION	No. per Veh.	REMARKS
CRANKCASE VENTILATION				
D165	6100979	Hose—Crankcase ventilation tube	A/R	Order in feet
D166	6100669	Clips—Hose	2	
D167	6100825	Valve assembly—Crankcase ventilation regulator	1	
D168	6100667	Adaptor } Ventilation	1	
D169	6100668	Adaptor } regulator	1	
ENGINE (Motor) MOUNTINGS				
D170	6100546	Support rubber, O/S (R.H.)	1	}
	6100547	Support rubber, N/S (L.H.)	1	
D171	6100371	Heat shield	2	
	6100555	Bolt, 7/16" x 3/4" long hex. hd.	4	}
	6100866	Washer, 7/16" spring	4	
	6100556	Washer, 1/2" plain	2	}
	6100557	Nut, 1/2" lock	2	
D172	1229974	Bracket, O/S (R.H.)	1	}
	1229975	Bracket, N/S (L.H.)	1	
	19106241	Bolt, 3/8" UNF. x 3"	6	}
	9067041	Washer, 3/8" plain	6	
	9664243	Washer, 3/8" shakeproof	6	}
	5220686	Screw, 3/8" UNF. x 3/4"	4	
	9660243	Washer, 3/8" spring	4	}
GASKET SETS				
	6100871	COMPLETE ENGINE (Motor) OVERHAUL GASKET SET Note. The above consists of Front cylinder, Cylinder head, Rocker cover, Oil tube flange, Oil pump to block, Sump, Vent tube, Water outlet, Water pump, Fuel pump and Inlet manifold gaskets. Also included are Valve stem, Crankshaft, Sump and Manifold seals.	1	
	6100872	VALVE GRIND GASKET SET Note. The above consists of Cylinder head, Rocker cover, Vent tube, Water outlet and Manifold gaskets. Also included are Valve stem seals and Inlet Manifold seals.	1	